

REF **428-007**



STAND FOR SIDE POLE UMBRELLA

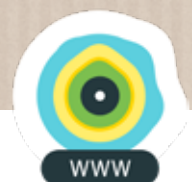
IN ALUMINUM, TO BE INSERTED INTO THE GARD&ROCK ANCHORING BASE



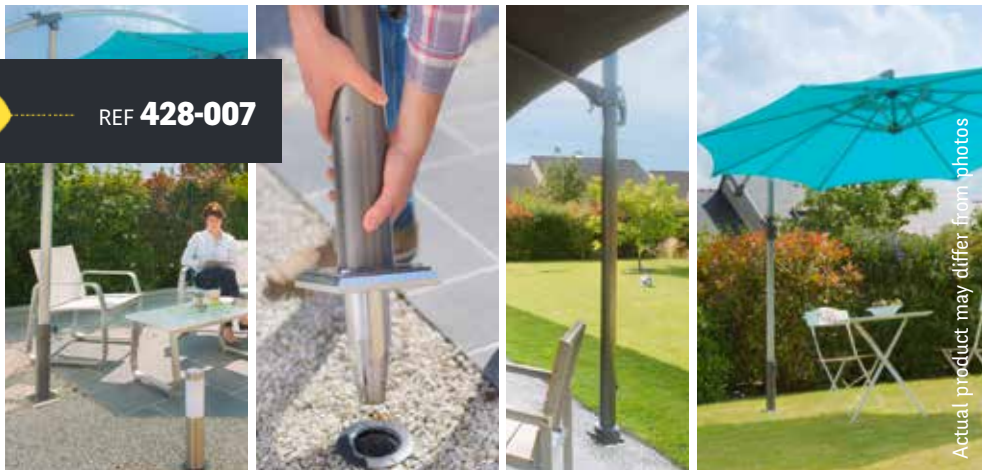
Actual product may differ from photos



DISCREET AND UNOBSTRUCTIVE, YOU CAN ANCHOR AND MOVE YOUR SIDE-ARM UMBRELLA ANYWHERE IN YOUR GARDEN LAWN, STABILIZED GROUND, FLOWERBED, TERRACE EDGE, ETC. , EVEN ON SLOPING GROUND.



REF **428-007**



Actual product may differ from photos

Our mechanical design office wanted to remove the need for the weighted base, a source of annoyance (obstruction, injury, breeding ground for dirt and insects, etc.).

We therefore opted for a base system that is anchored to the ground, which we have patented in view of its performance.

Made of pressurized die-cast aluminum, with stainless steel bolts included, the Gard&Rock base system now offers solid, discreet fixation and removal for side-arm umbrellas (up to 4 x 3 m).

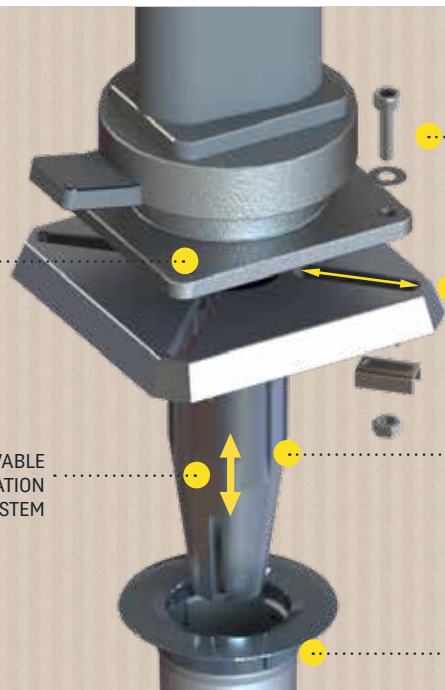


PRODUCT DETAILS

- ➔ REMOVES THE NEED FOR THE WEIGHTED BASE
- ➔ REMOVABLE AND UNOBSTRUCTIVE FIXATION
- ➔ IMPROVED APPEARANCE AND SPACE
- ➔ SUITABLE FOR ALL TYPES OF FLAT OR SLOPING GROUND
- ➔ STYLISH, IN ALUMINUM

UMBRELLA PLATE (NOT INCLUDED)

REMOVABLE FIXATION SYSTEM



STAINLESS STEEL BOLTS INCLUDED

UNIVERSAL FIXATION

STURDY ALUMINUM BODY

ANCHORING BASE (REF 428-001 / NOT INCLUDED)

DIMENSIONS



UNIVERSAL FIXATION

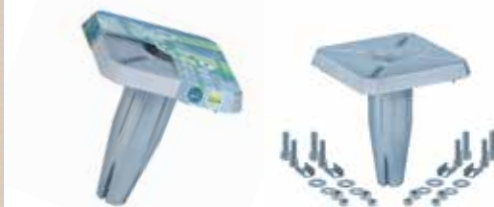
FIXATION BY STAINLESS STEEL BOLTS INCLUDED, WITH ADJUSTABLE CENTER DISTANCE

55 TO 133MM (2.16 TO 5.24IN)

WEIGHT

1,60 KG

PACKAGING



TO BE INSERTED INTO THE **GARD&ROCK ANCHORING BASE** (428-001 NOT INCLUDED)



STAND FOR SIDE POLE UMBRELLA